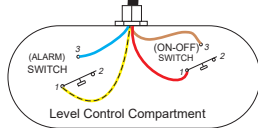


# HARD WIRED LEVEL CONTROL

## SUPPLY CABLE WIRE COLOR & OPERATION

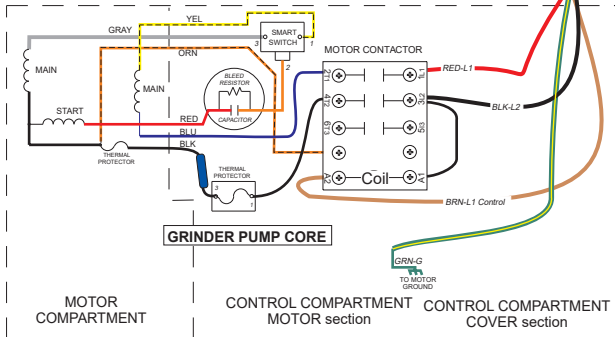
| EQD Pin # | Wire Color             | Function           |
|-----------|------------------------|--------------------|
| 4         | Brown                  | Manual Run         |
| 6&3       | Red                    | L1                 |
| 5         | Black                  | L2 or Neutral      |
| 1/2       | Green w/ Yellow Stripe | Ground             |
| 2         | Yellow                 | Alarm Power Feed   |
| 1         | Blue                   | Alarm Power Return |

Supply Cable



## HARD WIRE OPTION

Alarm Yellow and Blue wires go to the alarm panel only Motor Control Red and Brown wires go to both alarm panel and motor contactor



NA0036P18 A  
 SWED, 230 Volt 50 Hz  
 DUAL VOLTAGE MOTOR  
 Control Wiring Tag

eone